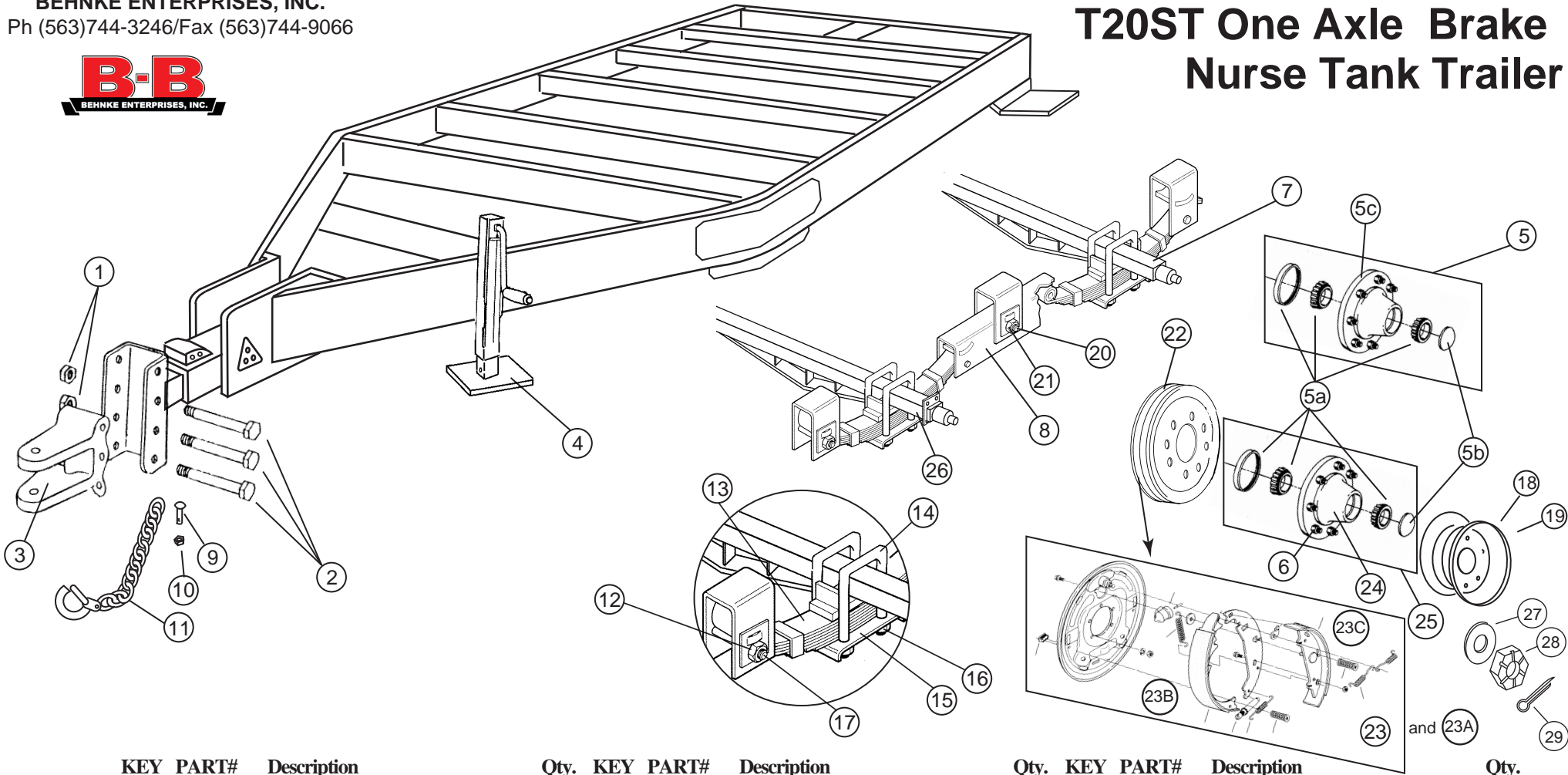




# T20ST One Axle Brake Nurse Tank Trailer



KEY PART#	Description	Qty.	KEY PART#	Description	Qty.	KEY PART#	Description	Qty.
1	81077 5/8" Lock Nut		11	81012 Safety Chain w/ Hook		23A	81136 Left hand 13" Backing Plate	
2	81076 5/8" x 4 1/2" Bolt		12	81097 7/8" Nut		23B	81142 13" Brake Front Shoe	
3	81075 Clevis Hitch		13	81098 Slipper Spring 6-Leaf 72-21		23C	81143 13" Brake Back Shoe	
4	81089 Dropleg Jack		14	81092 5/8 x 7 Square U-Bolt		24	81033 Hub Tapped	
5	81031 8 Bolt Hub, Complete with bearings		15	21149 Spring Plate for 2" Spring		25	81030 Complete Hub Tapped	
5a	81029 Bearings and seal only		16	81093 5/8" 18 Fine Thread Nut		26	91036 Axle Beam Brake	
5b	81028 Dust Cap, only		17	81099 7/8 x 4 1/2" Suspension Bolts		27	81202 Washer 1"	
5c	81032 8 Bolt Hub, only		18	81008 16.1 x 11 x 8-Hole		28	81203 1" x 16 UNF Castle Nut	
6	81083 5/8 Hex Wheel Nut RH		19	81009 16.1 x 14 x 8-Hole		29	81204 1/8" x 2" Cotter Pin	
7	91035 Axle Beam Only-Non Brake		20	81100 1" x 5 3/16" Equalizer Bolt				
8	81096 Center Equalizer-10K General Duty		21	81086 1" Hex Nut				
9	81044 1/2" x 1 1/4" Grade 5 Carriage Bolt		22	81101 Brake Drum				
10	81040 1/2" Lock Nut, 13 Coarse		23	81102 13" Backing Plate Surge Right Hand				