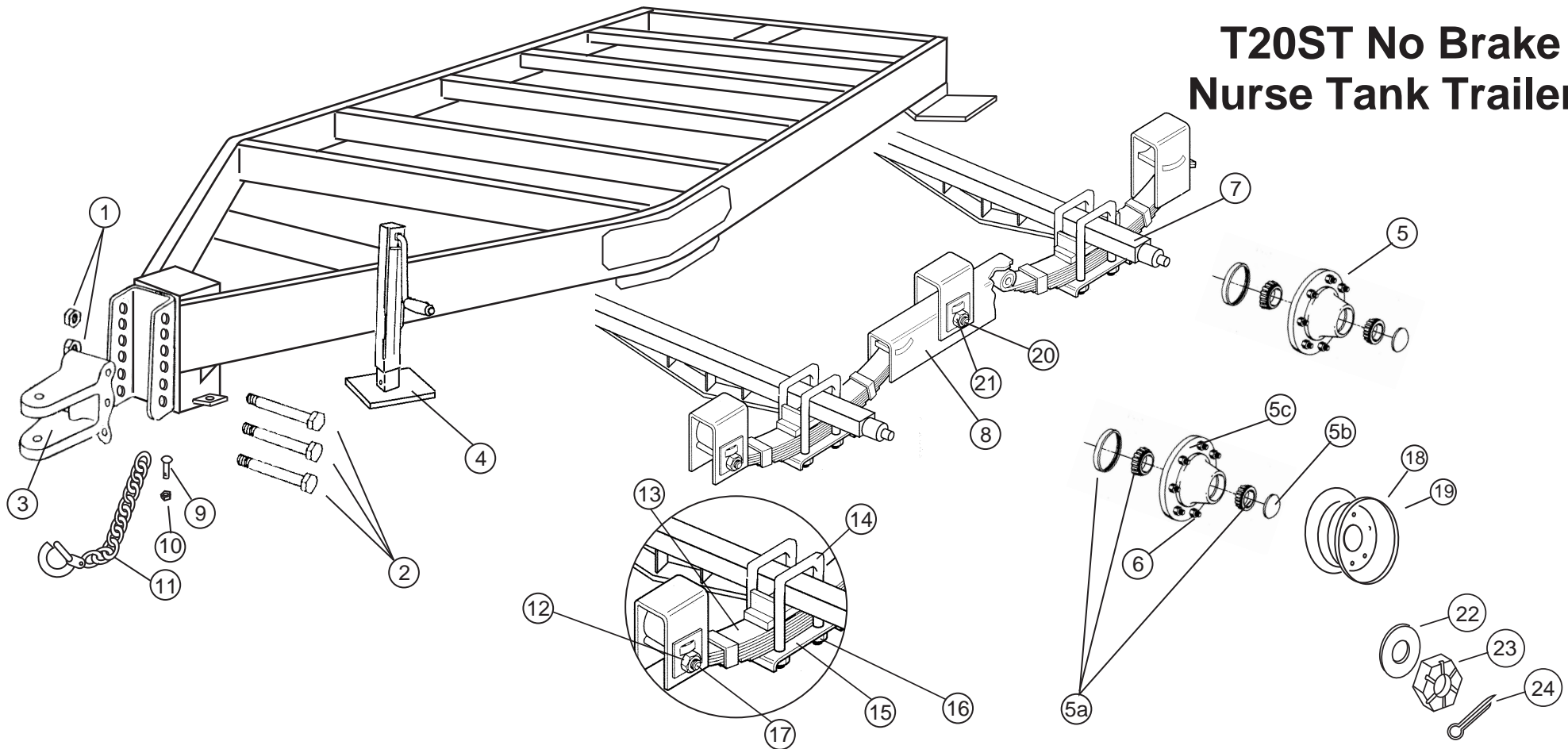


T20ST No Brake Nurse Tank Trailer



BEHNKE ENTERPRISES, INC.
 800 Ninth Ave. N.W., P.O. Box 357
 Farley, IA 52046



t20st exploded no brake
 01/01/06

KEY PART#	Description	Qty.	KEY PART#	Description	Qty.
1	81077 5/8" Lock Nut		12	81097 7/8" Nut	
2	81076 5/8" x 4 1/2" Bolt		13	81098 Slipper Spring 6-Leaf 72-21	
3	81075 Clevis Hitch		14	81092 5/8 x 7 Square U-Bolt	
4	81089 Dropleg Jack		15	21149 Spring Plate for 2" Spring	
5	81031 8 Bolt Hub, Complete with bearings		16	81093 5/8" 18 Fine Thread Nut	
5a	81029 Bearings and seal only		17	81099 7/8 x 4 1/2 Suspension Bolt	
5b	81028 Dust Cap, only		18	81008 16.1 x 11 x 8-Hole	
5c	81032 8 Bolt Hub, only		19	81009 16.1 x 14 x 8-Hole	
6	81083 5/8 Hex Wheel Nut RH		20	81100 1" x 5 3/16" Equalizer Bolt	
7	91035 Axle Beam Only-Non Brake		21	81086 1" Hex Nut	
8	81096 Center Equalizer-10K General Duty		22	81202 Washer 1"	
9	81044 1/2" x 1 1/4" Grade 5 Carriage Bolt		23	81203 1" x 16 UNF Castle Nut	
10	81040 1/2" Lock Nut, 13 Coarse		24	81204 1/8" x 2" Cotter Pin	
11	81012 Safety Chain w/ Hook				