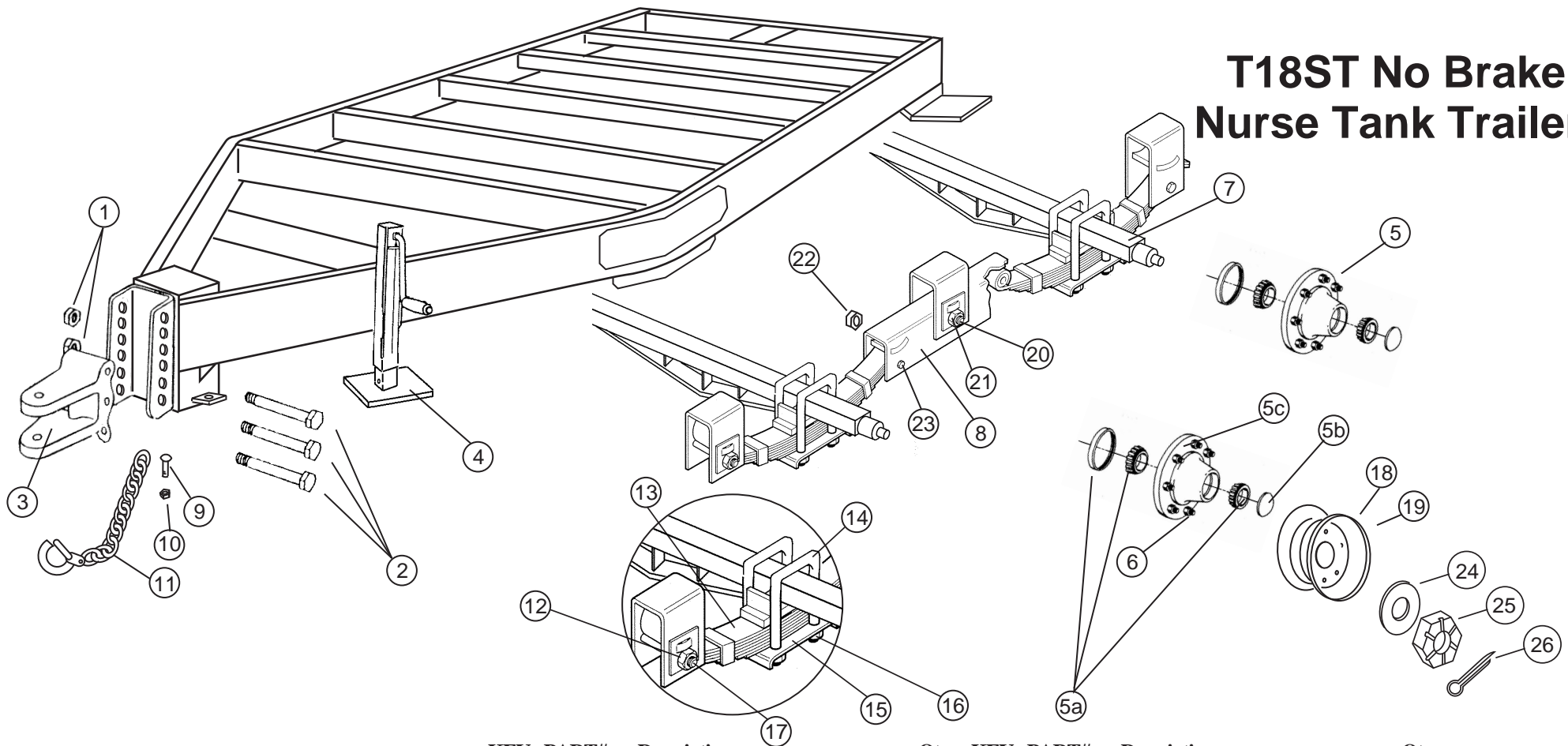


# T18ST No Brake Nurse Tank Trailer



KEY PART#	Description	Qty.	KEY PART#	Description	Qty.
1	81077 5/8" Lock Nut		13	81084 Slipper Spring 6-Leaf 72-10-2	
2	81076 5/8" x 4 1/2" Bolt		14	81092 5/8 x 7 Square U-Bolt	
3	81075 Clevis Hitch		15	21149 Spring Plate for 2" Spring	
4	81089 Drop Leg Jack		16	81093 5/8" 18 Fine Thread Nut	
5	81031 8 Bolt Hub, Complete with bearings		17	81087 5/8 x 4" Suspension Bolts	
5a	81029 Bearings and seal only		18	81008 16.1 x 11 x 8-Hole	
5b	81028 Dust Cap, only		19	81009 16.1 x 14 x 8-Hole	
5c	81032 8 Bolt Hub, only		20	81085 1" x 5" Equalizer Bolt	
6	81083 5/8 Hex Wheel Nut RH		21	81086 1" Hex Nut	
7	91035 Axle Beam Only-Non Brake		22	81090 5/16" Keeper Bolt Nut 6-11	
8	81094 Center Equalizer-9K		23	81091 Spring Keeper 5/16 x 3 1/4 7-7	
9	81044 1/2" x 1 1/4" Grade 5 Carriage Bolt		24	81202 Washer 1"	
10	81040 1/2" Lock Nut, 13 Coarse		25	81203 1" x 16 UNF Castle Nut	
11	81012 Safety Chain w/ Hook		26	81204 1/8" x 2" Cotter Pin	
12	81088 5/8 Spring Bolt Hex Lock Nut				

## BEHNKE ENTERPRISES, INC.

800 Ninth Ave. N.W., P.O. Box 357  
Farley, IA 52046  
Ph. (563)744-3246 • Fax (563)744-9066



t18st exploded no brake  
01/01/06