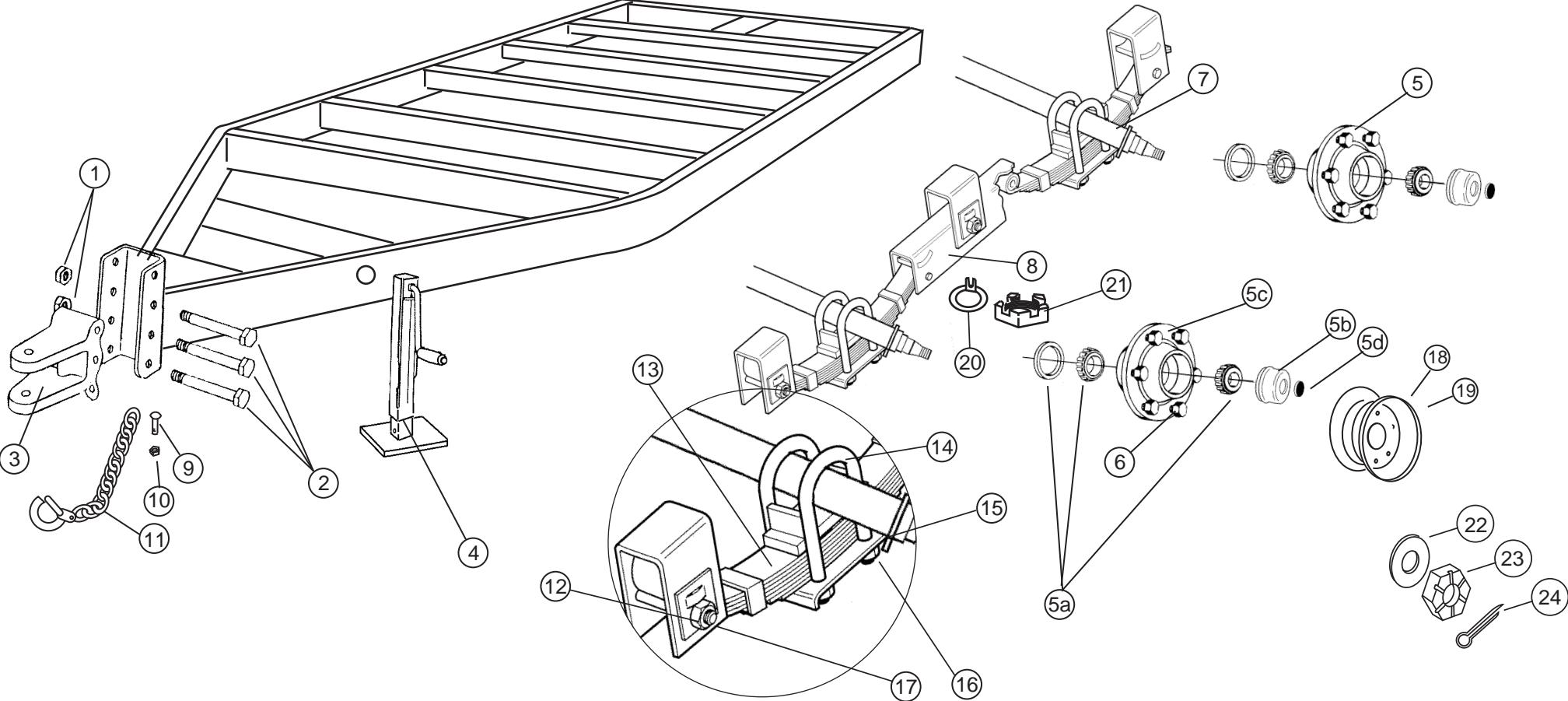


T14ST Nurse Tank Trailer



BEHNKE ENTERPRISES, INC.
 800 Ninth Ave. N.W., P.O. Box 357
 Farley, IA 52046



t14st exploded
 01/01/06

KEY PART#	Description	Qty.	KEY PART#	Description	Qty.
1	81077 5/8" Lock Nut		11	81012 Safety Chain w/ Hook	
2	81076 5/8" x 4 1/2" Bolt		12	81045 9/16" x 18 Hex Lock Nut	
3	81075 Clevis Hitch		13	81013 Slipper Spring 5-Leaf	
4	81057 Swivel Jack		14	81081 U-Bolt, 1/2" x 7"	
5	81023 6 Bolt Hub, Complete with bearings		15	81080 Spring Plate for 2" Spring	
5a	81027 Bearings and seal only		16	81082 1/2" 20 Fine Thread Nut	
5b	81024 Dust Cap, only		17	81015 9/16 x 3 1/2" Suspension Bolts	
5c	81026 6 Bolt Hub, only		18	81005 15 x 8 6-Hole	
5d	81025 Rubber Insert for Cap		19	81006 15 x 10 6-Hole	
6	81046 9/16" Lug Bolt		20	81109 Tang Type Washer	
7	81078 Axle Beam Only		21	81112 Spindle Nuts 1"	
8	81079 Center Equalizer		22	81202 Washer 1"	
9	81044 1/2" x 1 1/4" Grade 5 Carriage Bolt		23	81203 1" x 16 UNF Castle Nut	
10	81040 1/2" Lock Nut, 13 Coarse		24	81204 1/8" x 2" Cotter Pin	